

## IWFW6-10, IWFW6-20



## Wireless flood detector

for Sintony 60 (IC60) SiWay Protocol

- **Sensor cable with adjustable length of up to 2 m**
- **Very small and compact**
- **Designed with low power consumption for a longer battery lifetime**
- **Unique ID code with signal transmission for secure identification**
- **Low battery warning signal transmission**

### Versatile in application

---

With its ergonomic and discrete design, which fits every environment, the flood detector is ideal for the design sensitive residential sector. The sealed sensor cable can be adjusted in length to give the flexibility typically required in many residential applications.

### Fast and easy to install

---

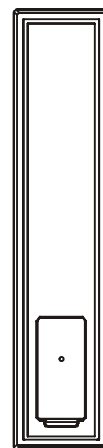
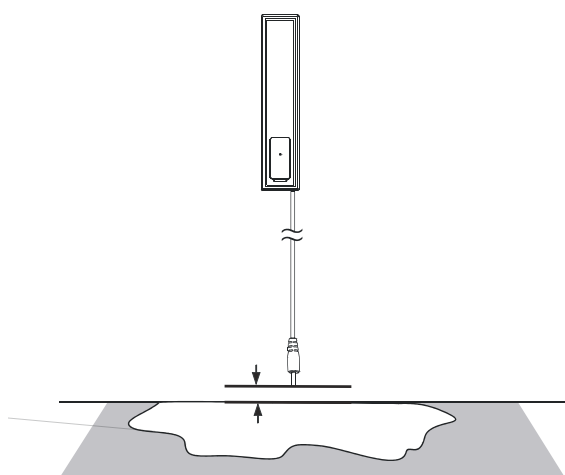
The detector's small dimensions facilitates its installation even in the normally restricted spaces such as in bathrooms or around heating equipment.

### Universal use

---

The external wired sensor is capable of detecting all liquids that have electric conductivity. The device can also be integrated into a security system, so that should in the event of water leaking from the heating system, or in the cellar or bathroom, an alarm signal may be sent out for immediate intervention and to prevent further damage.

## Coverage area and dimensions



Dimensions: 124 mm x 27 mm x 28 mm

## Technical data

Coverage area	Sensor cable up to 2 m
Wireless module – Range/	Up to 300 m in open space
Frequency band	868 MHz, 915 MHz
Identification	Unique ID serial number - 24 bit
Event transmission	Alarm, supervision, low battery (in advance)
Data protocol	SiWay- Sintony 60
Test mode activation	Short the contact on sensor cable
EMI rejection up to 2 GHz	> 10 V/m
Battery	Lithium 3.6 V type: XL-050F Size: 1/2 AA
Environmental conditions	
● Operating temperature	-10 to +50 °C
● Storage temperature	-20 to +60 °C
● Humidity (EN 60721)	< 85 % r.h., non-condensing
● Housing protection EN 60529, EN 50102	IP41/IK02
Complies with: EN 61000-6-3, EN 55022, EN 50130-4, EN 50371, EN 300 220-2 EN 60950-1	

## Details for ordering

Type	Part no	Designation	Weight
IWFW6-10	A5Q00020287	IWFW6-10 wl flood detector, 868 MHz	0.10 kg
IWFW6-20	not yet available	IWFW6-20 wl flood detector, 915 MHz	0.10 kg
		Lithium 3.6 V type: XL-050F Size: 1/2 AA	0.02 kg